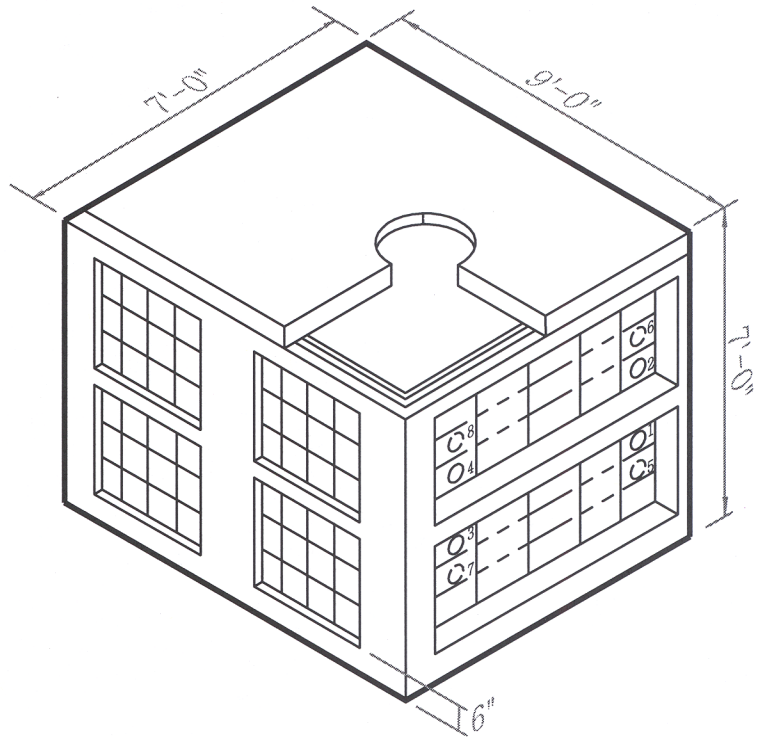
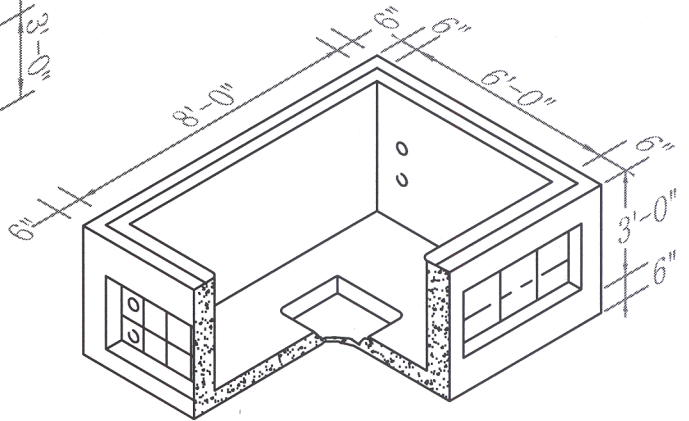
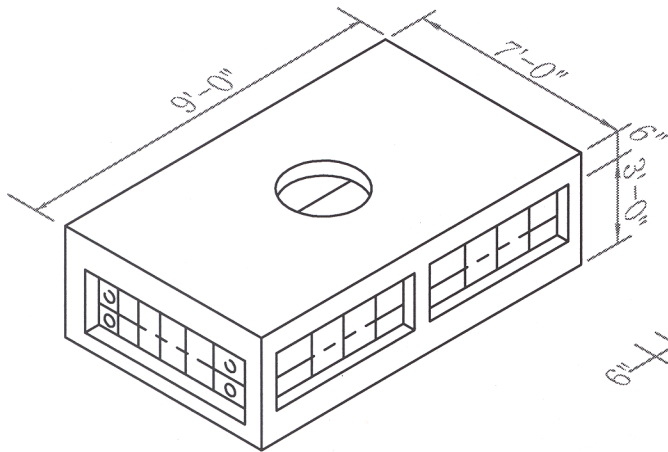


FLOOR DETAIL



TYPICAL 686 MANHOLE



DRAWN BY: TA
 CHECKED BY: GR
 PROJ #: -
 DATE: 10-28-2000
 DWG. # SK-19

TYPICAL MANHOLE (ELECTRICAL)