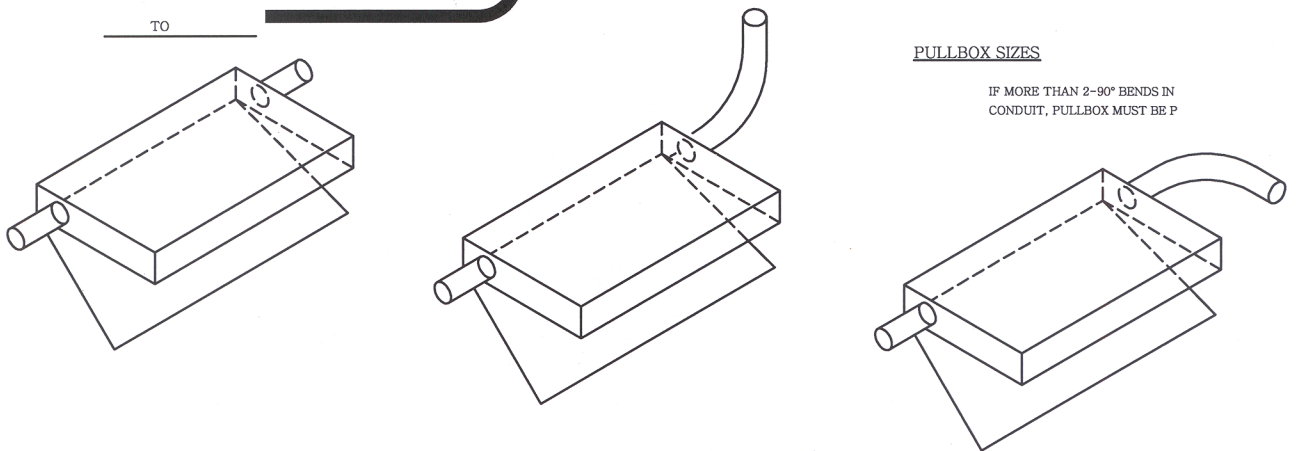


PULLBOX SIZES

IF MORE THAN 2-90° BENDS IN CONDUIT, PULLBOX MUST BE P



DRAWN BY: TA

RISER ENTRANCE AND PULLBOX SIZE

CHECKED BY: GR

PROJ #: -

DATE: 10-28-2000

DWG. # SK-22

THE STATE UNIVERSITY OF NEW JERSEY
RUTGERS

UNIVERSITY PLANNING AND DEVELOPMENT
 PISCATAWAY, NEW JERSEY

SK-22